

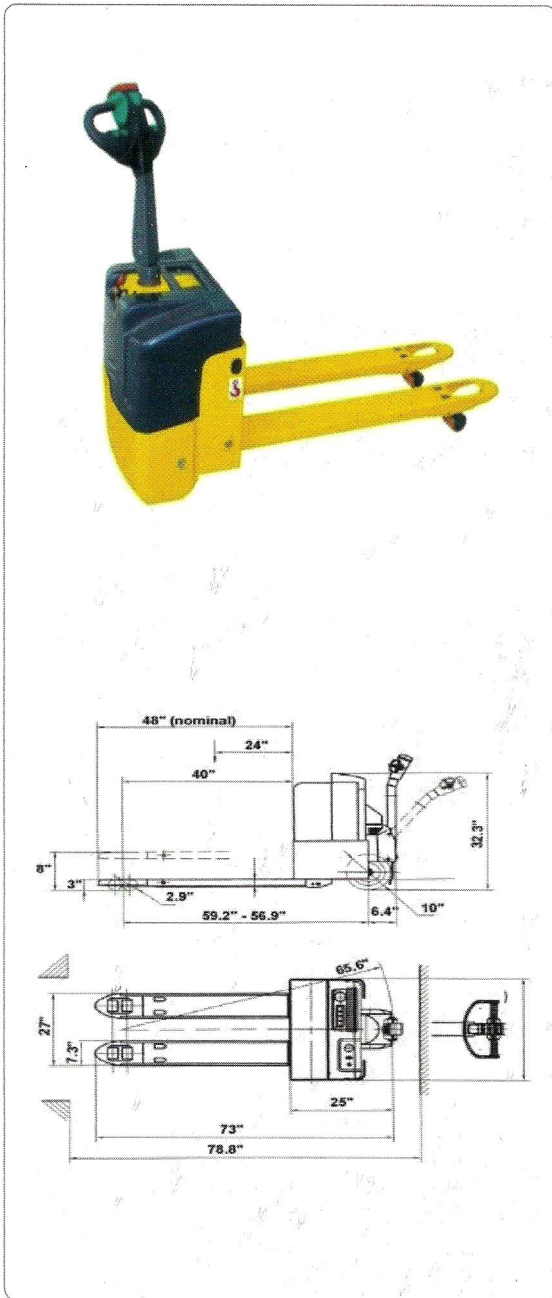
Battery operated Pallet Trucks

Battery operated pallet Trucks have been manufactured using sophisticated technology and are offered to our clients at competitive prices. Our products are very well known in the market for their sturdy construction and reliability.

FEATURES:

- Good maneuverability in small space
- Robust construction
- Low maintenance cost
- Reduced material movement cost
- Can be used in narrow aisles
- Have tandem load wheels
- Has Stand -on platform

Advanced Ergonomics & Engineering materials, the Highest quality Electrical, Hydraulic & Mechanical components are incorporated into FORZA - P series Pallet Trucks. Other Features such as programmable electric hand control make a Safer, more efficient & more easily maintainable pallet trucks.



Technical Specification

Capacity	1.0 T	3 T
Fork Span	550 mm	620 mm
Fork Length	1150 mm	1150 mm
Fork Max/Min Height	200/80	200/80
Turning Radius	1250	1250
Drive Wheel	250	250
Pump Motor	1.30kw	1.30kw
Battery Charger	DC24V/15A	DC24V/15A